

# UNIVERSAL CYLINDRICAL GRINDER 萬能圓筒磨床

Model : UM, UA, UH-300, 350/650, 800

## Features:

- \* Heavy bed provides a rigid base to carry all units and possesses great stiffness, sufficient slideway length to support the table in all position.
- \* Eight-speed type workhead with all belt drive provides full power at all speeds.
- \* Wheel spindle is induction hardened and precision ground.
- \* Wheel spindle lubricates automatically and is electrically interlocked with motor. These ensure the durability of the grinding wheel spindle and bearings, and also the roundness, superior finishing of the workpiece.
- \* Hydraulic table traverse has end dwell at both ends of the stroke, and is equipped with independent, stepless speed controls, for both directions.

## 機器特性：

- \* 床台基座穩固，剛性特佳。
- \* 主軸芯無段變速適合各類工作轉速選擇。
- \* 砂輪主軸採用特殊合金鋼，經硬化處理後精磨研磨而成，經久耐用。
- \* 採用強制式循環潤滑系統及安全連鎖設計，當油壓不足時，磨軸主軸無法啟動，以確保磨輪主軸壽命以及工件之精度與表面光度。
- \* 砂輪座如附油壓快速進退刀裝置，可提高工作效率。
- \* 床台左右油壓控制，附左右暫停。

## Standard Attachments:

- \* Swivel base motor-driven workhead
- \* Lever-operated tailstock
- \* Workhead & tailstock centers
- \* Standard grinding wheel
- \* Wheel flange and extractor
- \* Wheel dresser holder
- \* Coolant supply unit
- \* Lubricant supply unit
- \* Table swivel indicator
- \* Splash guard
- \* Diamond dressing tool
- \* Tools and tool box

## 標準附件：

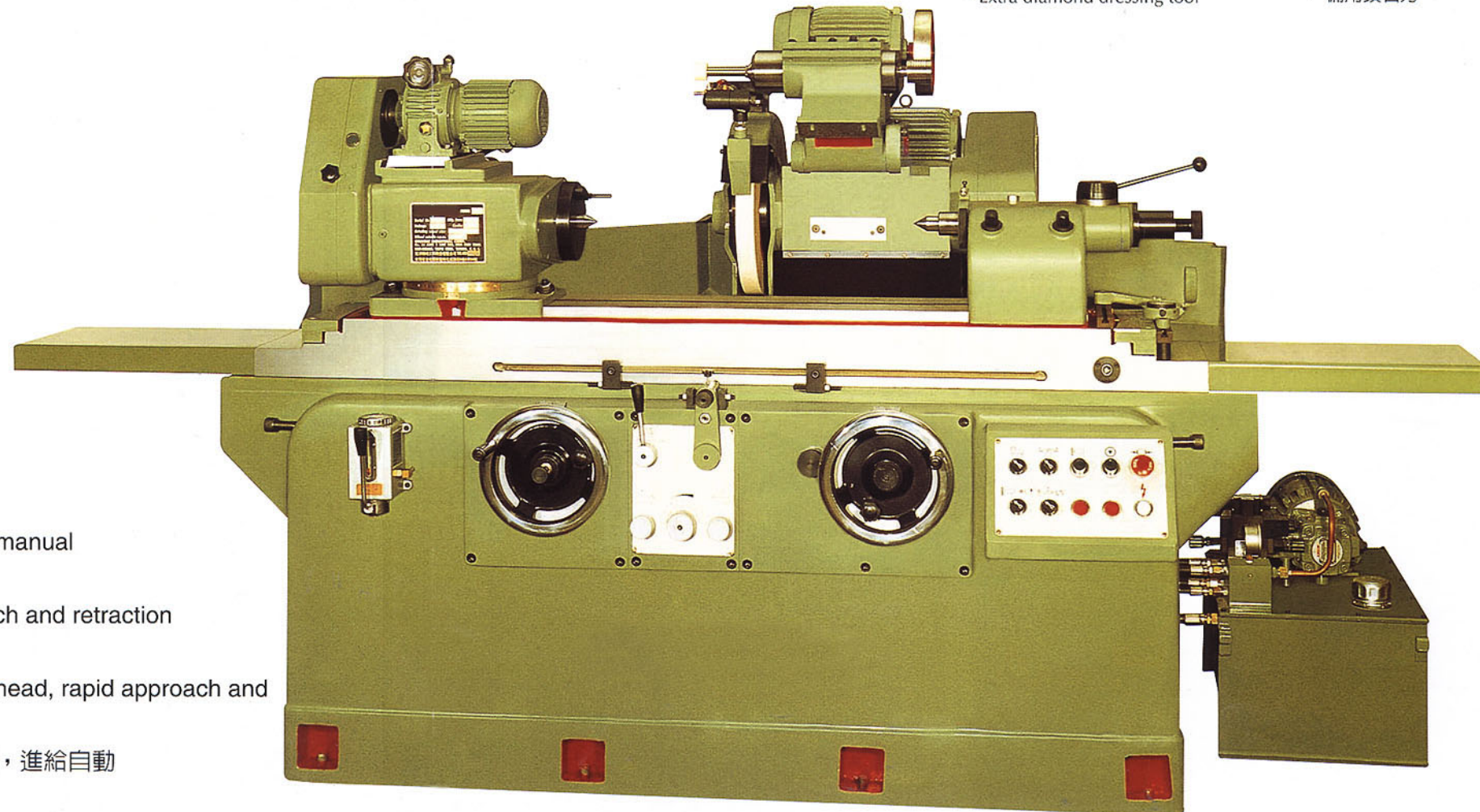
- \* 旋轉式主軸台
- \* 尾座
- \* 主軸台及尾座頂針
- \* 標準砂輪
- \* 砂輪法蘭及拆卸器
- \* 砂輪修整儀
- \* 冷卻水裝置
- \* 潤滑油裝置
- \* 床台旋轉校錶裝置
- \* 防水板
- \* 鑽石刀
- \* 手工具

## Extra Attachments:

- \* Internal grinding attachment
- \* 3-point steady rest
- \* 2-point steady rest
- \* 3-Jaw self-centering chuck and plate
- \* 4-Jaw independent chuck and plate
- \* Permanent magnetic chuck and plate
- \* Magnet coolant filter
- \* Radius wheel dresser
- \* Angular wheel dresser
- \* Wheel balancing unit
- \* Extra grinding wheel
- \* Extra wheel flange
- \* Extra diamond dressing tool

## 特殊附件：

- \* 內孔研磨裝置
- \* 三點式穩定扶架
- \* 兩點式穩定扶架
- \* 三爪夾頭及面盤
- \* 四爪夾頭及面盤
- \* 永久磁鐵及面盤
- \* 磁性冷卻除屑裝置
- \* 圓弧砂輪修整儀
- \* 角度砂輪修整儀
- \* 砂輪平衡儀
- \* 備用砂輪
- \* 備用砂輪法蘭
- \* 備用鑽石刀



## Models available:

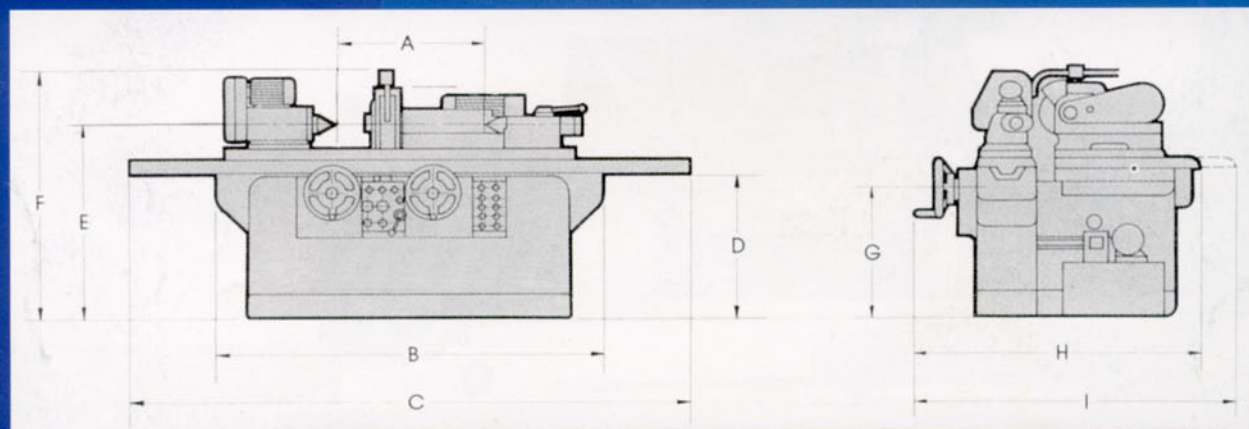
### 機型選擇：

- UM — Hand traverse and hand wheel feed  
全手動
- UA — Hydraulic table traverse, wheelhead approach by manual  
床台油壓橫行，砂輪頭手動縱行
- UH — Hydraulic table traverse, wheelhead rapid approach and retraction  
床台油壓橫行，砂輪頭油壓縱行快送及快回
- AGC — Table left-right movement, hydraulic driven wheelhead, rapid approach and retraction, automatic feed  
床台左右移位，油壓驅動，砂輪頭縱行快送及快回，進給自動

# ■ SPECIFICATION 規格

ITEMS			650UH	800UH
Capacity 能量	Max. swing diam 最大工作旋徑	mm (in.)	300 (11 13/16); 350 (13 15/32)	
	Distance between centers 頂心間距離	mm (in.)	650 (25 1/2)	800 (31 1/2)
	Weight on center 頂心荷重	kg	120	
Wheelhead 砂輪台	Standard wheel size 砂輪尺寸	mm (in.)	355 $\phi$ x38x127 $\phi$ (14x1 1/2x5)	
	Wheel spindle speed 砂輪轉速	rpm	1600	
	Total swivelling angle 旋角總度數	°	0°-30°	
	Hydraulic rapid feed stroke 油壓快送距離	mm (in.)	40 (1 9/16)	
	Total amount of handfeed 手動進刀總量	mm (in.)	160(6 1/4)	
	One revolution of handwheel 手輪一轉	mm (in.)	1 (0.04)	
	Feed per graduation 手輪每格進刀量	mm (in.)	0.0025 (0.0001)	
Workhead 主軸台	Total swivelling angle 旋角總度數	°	0°-90°	
	Work spindle speeds 芯軸轉速	rpm	15-100; 30-200 無段變速	
	Work center taper 頂針斜孔	MT	#4	
Tailstock 尾座	Work center taper 頂針斜孔	MT	#4	
	Spindle stroke 芯軸行程	mm (in.)	40 (1 9/16)	
Table 床台	Traverse speed 左右速度	mm/min.	40-4000	
	Total swivelling angle 旋角總度數	°	0°-10°	0°-9°
	Traverse per turn of handwheel 手輪一轉	mm (in.)	14 (9/16)	
Motors 馬達	Grinding wheel 砂輪芯軸	HP	5	
	Workhead spindle 主軸芯軸	HP	1/2	
	Hydraulic pump 油壓泵	HP	2	
	Coolant pump 冷卻水泵	HP	1/8	
Shipping Dimension 裝箱尺寸	Machine weight (net) 機器淨重	kg	2100	2300
	Machine weight (gross) 機器總重	kg	2500	2700
	Box size (export) 外箱尺寸	mm	2300x1650x1820	

# ■ MACHINE DIMENSION 機器外型尺寸圖



UNIT: MM(IN.)

MODEL	A	B	C	D	E	F	G	H	I
650	650 (25 1/2)	2000 (78 3/4)	3490 (137 1/2)	760 (30)	1070 (42 1/8)	1520 (52 6/7)	650 (25 1/2)	1270 (50)	1390 (54 3/4)
800	800 (31 1/2)	2000 (78 3/4)	3890 (153 1/2)	760 (30)	1070 (42 1/8)	1520 (59 6/7)	650 (25 1/2)	1270 (50)	1390 (54 3/4)

**BEMATO**

STRIVING FOR SERVICE  
AND SATISFACTION

**BENIGN ENTERPRISE Co., LTD.**

SUITE 4, 5F., NO. 20, TA-LONG ROAD, TAICHUNG, TAIWAN R.O.C.

MAILING ADDRESS: P.O. BOX 747 TAICHUNG, TAIWAN R.O.C.

TEL: 886-4-23233016

FAX: 886-4-23232826 . 23238341 . 37001007

e-mail: bematoco@ms11.hinet.net

http://www.e-bemato.com . www.bemato.com.tw