

CNC LATHE

New generation of CNC lathe with the exclusive design of differential bed construction.

FEATURES:

- High precision.
- Superior performance.
- High productivity.
- Rapid & rigid servo drive VDI turret.
- Turret with precision curvic coupling ensures indexing accuracy and rapid indexing.

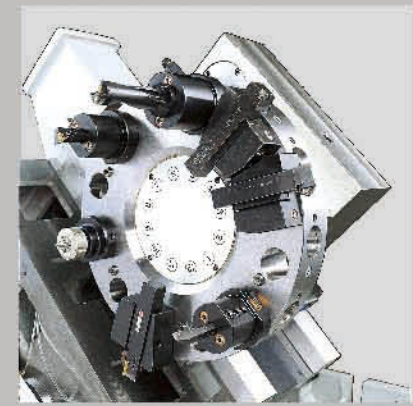
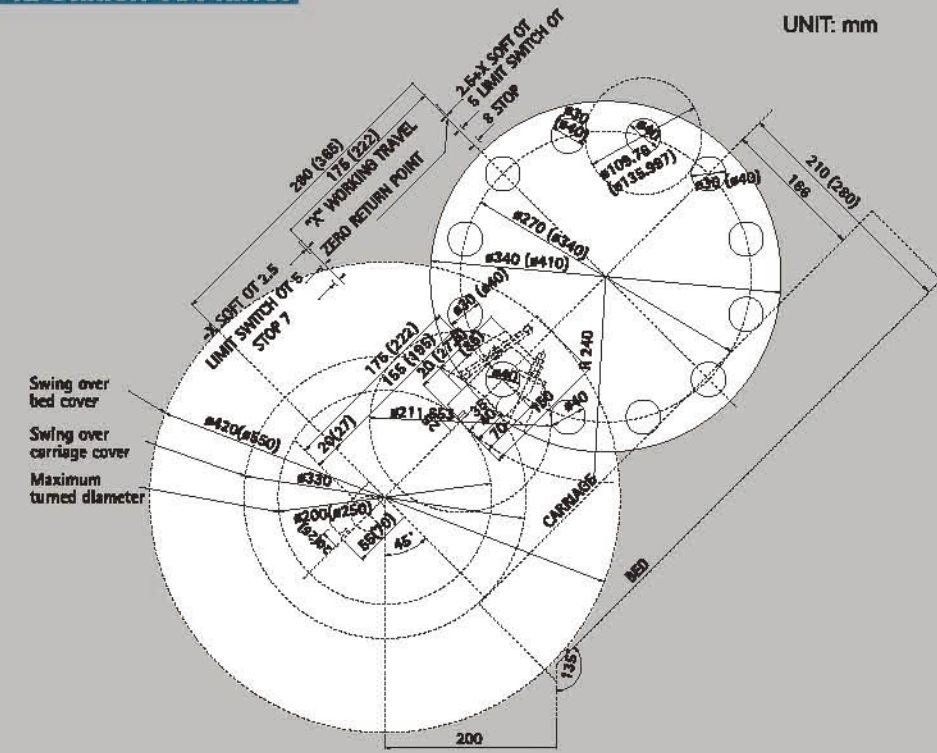
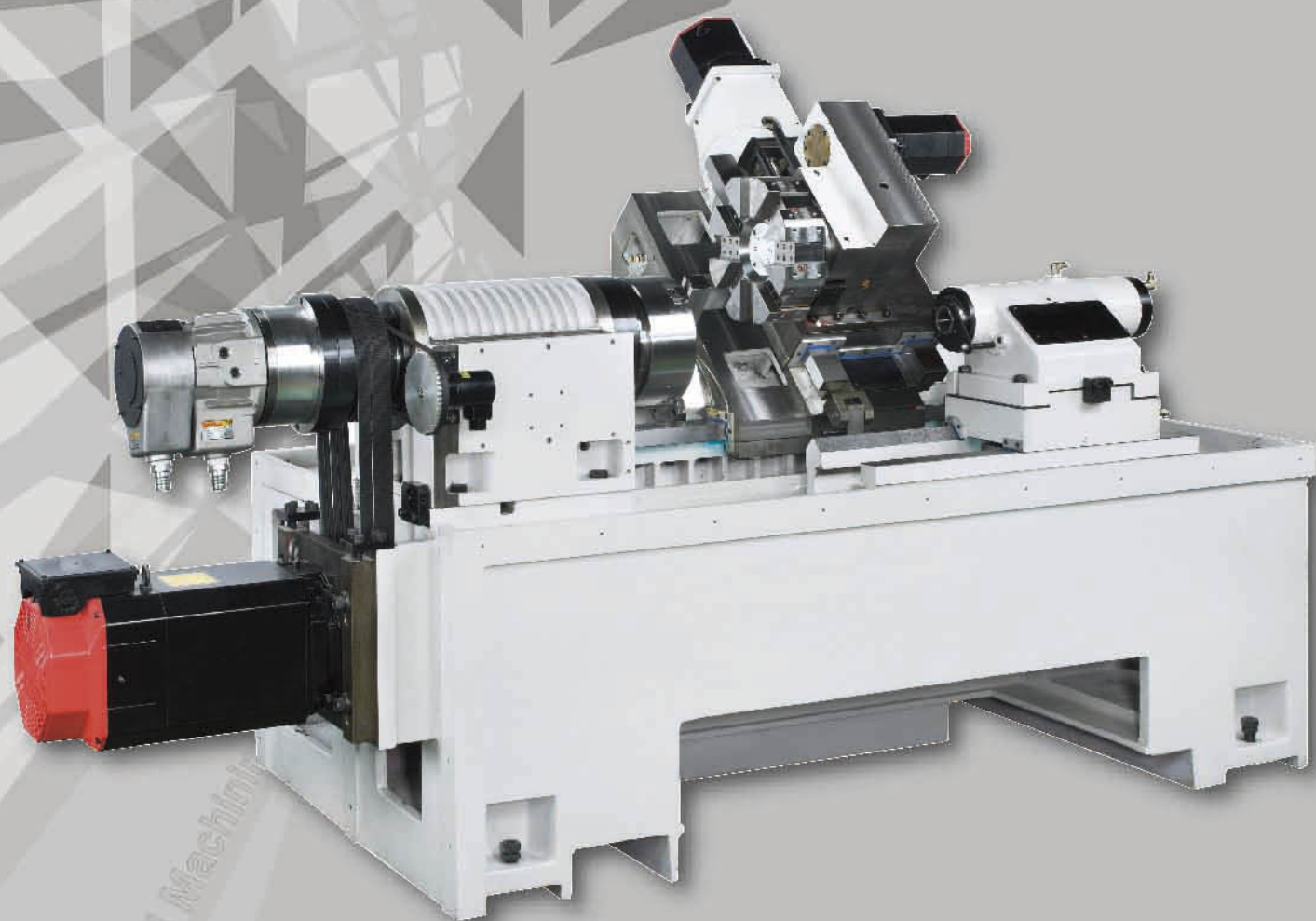
- Carriage coated with Turcite-B and precision scrapped.
- Cartridge type spindle housing with ribs reinforced to maintain stability and the best heat circulation.
- Spindle employs NSK high precision bearings to maintain high accuracy and rigidity.
- Spindle is made of CrMo steel hardened to HRC 58°, dynamically balanced and precision ground.
- Unique design of fully enclosure guarding.
- Hydraulic regulators are placed in the front for convenient adjustment.

BMT 1716 / 1716LB

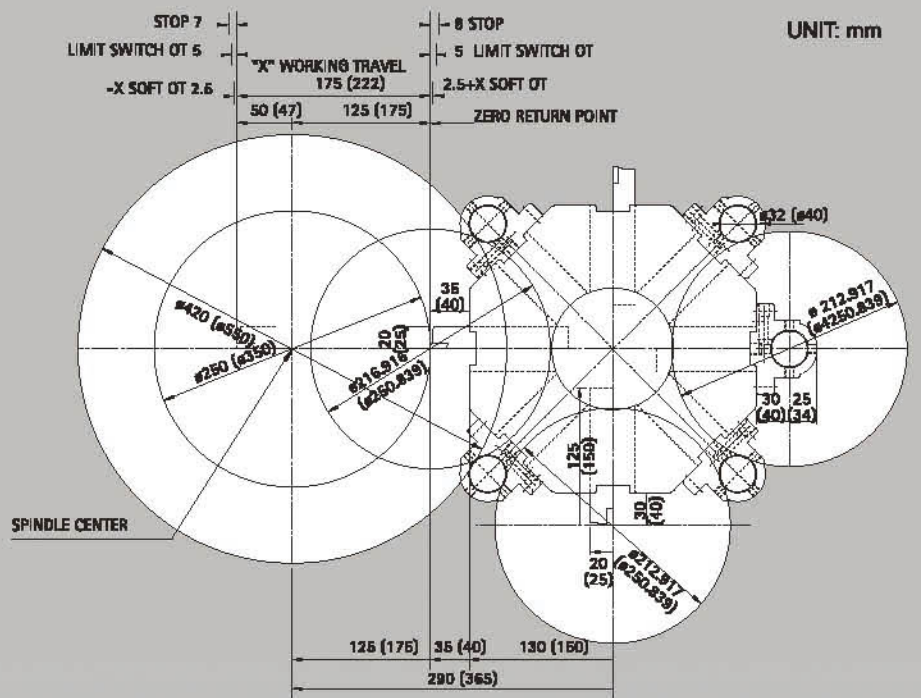
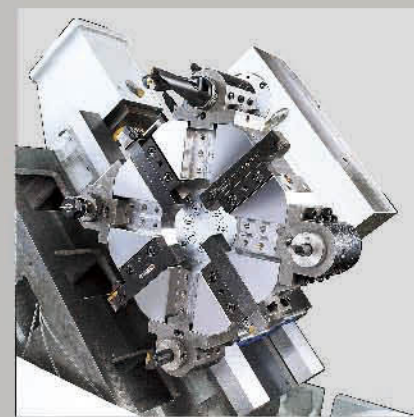
BMT 2222 / 2222LB



TOOL INTERFERENCE DIAGRAM
For BMT 1716 & 2222 series
12 Station VDI turret



8 Station turret



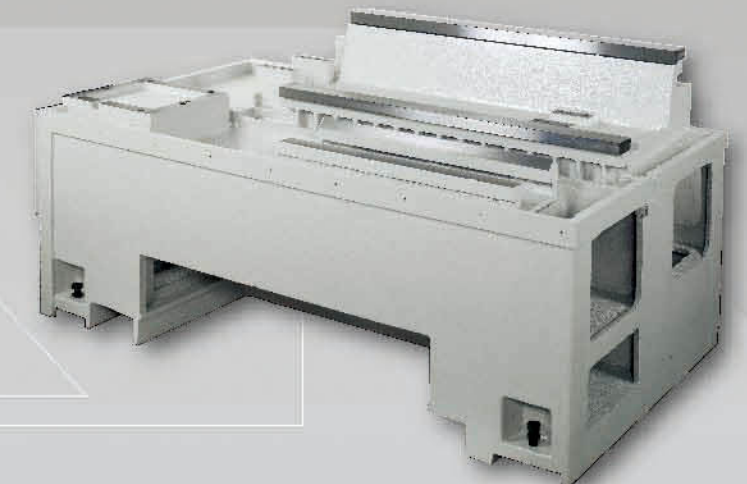
RIGID BASE

- Rigidly constructed machine base.
- High tensile Meehanite castings, tempered and stress relief.
- In general the reacting force caused during turning will create vibration and influence the cutting results both in finish and accuracy. Our slide ways with ladder structure solve this problem by damping the reacting force and distributing it equally to the entire body of the machine. This unique design features our lathe the best stability and the best finish and accuracy in cutting.
- Smoother movement of carriage.



< **Base for BMT 1716 / 1716LB**
Z axis adopts high precision linear ways.

> **Base for BMT 2222 / 2222LB**
Z axis slide ways are made of alloy steel hardened to HRC 58' for the best wear resistance and accuracy.



CNC LATHE

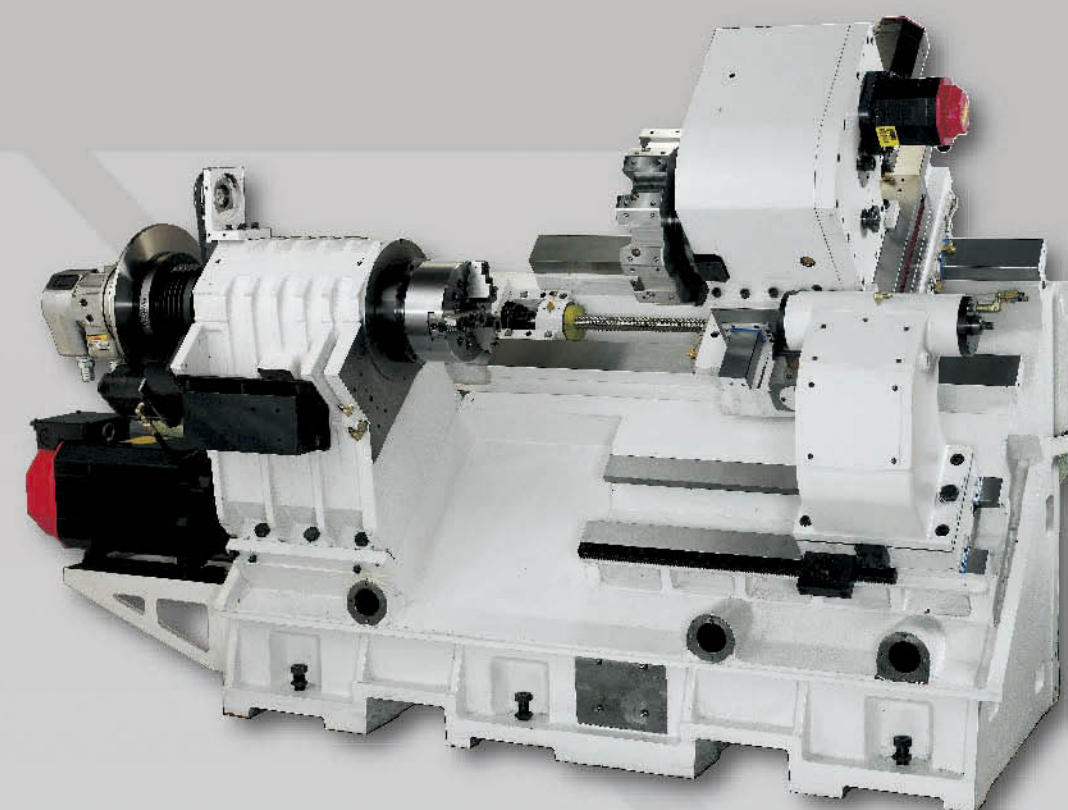
Superiority
Exquisite design
Perfect presentation

BMT 2418

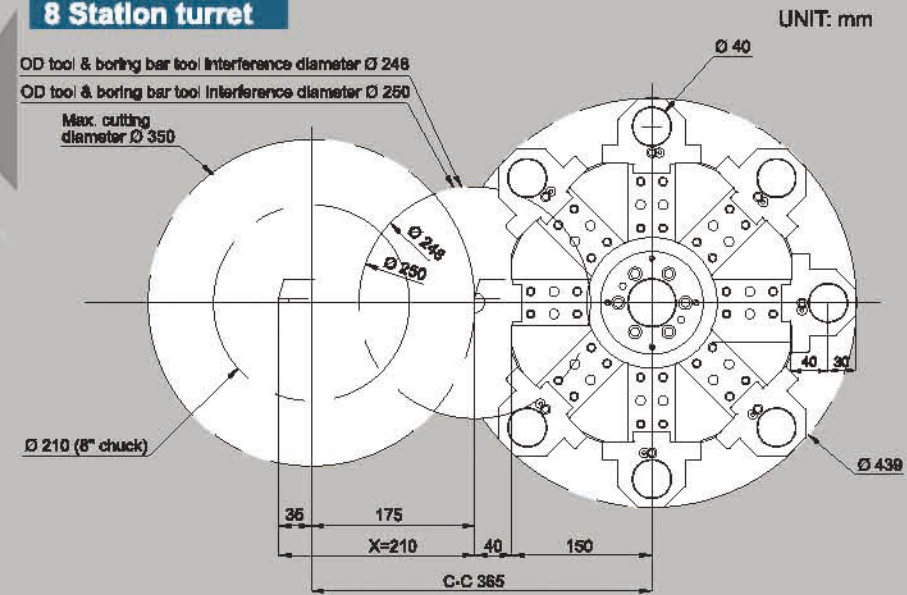
RIGID MECHANICAL STRUCTURE

FEATURES:

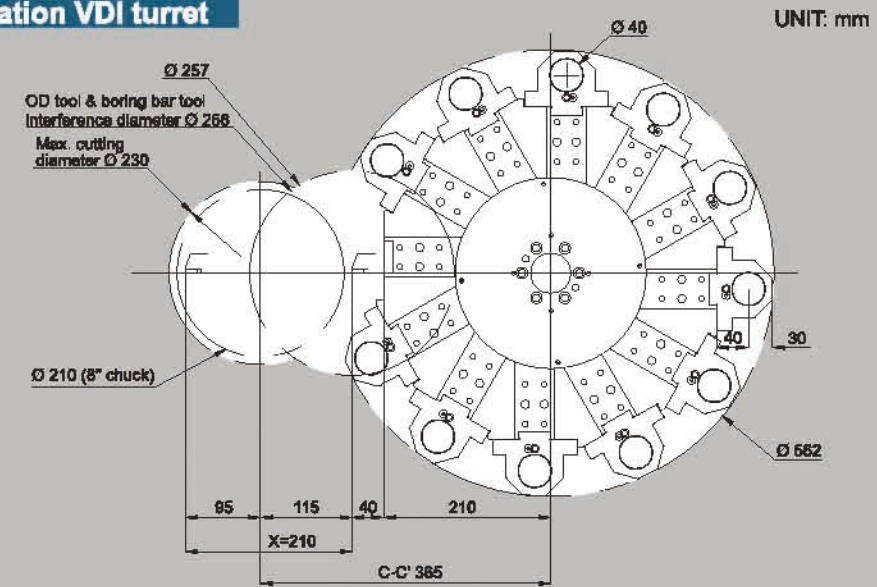
- 45° slant bed.
- One piece machine base.
- High tensile Meehanite casting, tempered and stress relief.
- Ribs reenforced to minimize vibration to the least.
- No stack of chips and easy removal.
- Both X & Z axis equipped with preloaded C3 high precision ball screws, professionally and precisely assembled.
- Spindle is made of CrMo steel, dynamically balanced, hardened to HRC 58° and precision ground.
- Spindle employs NSK high precision bearings with special bearing support to maintain high accuracy and the best stability.
- Both slide ways of X & Z axis are heavily constructed box ways-hardened & precision ground.
- Carriage coated with Turcite-B and precision scrapped.
- Rugged headstock constructed with ribs reenforced for the best heat circulation to reduce thermal deformation.



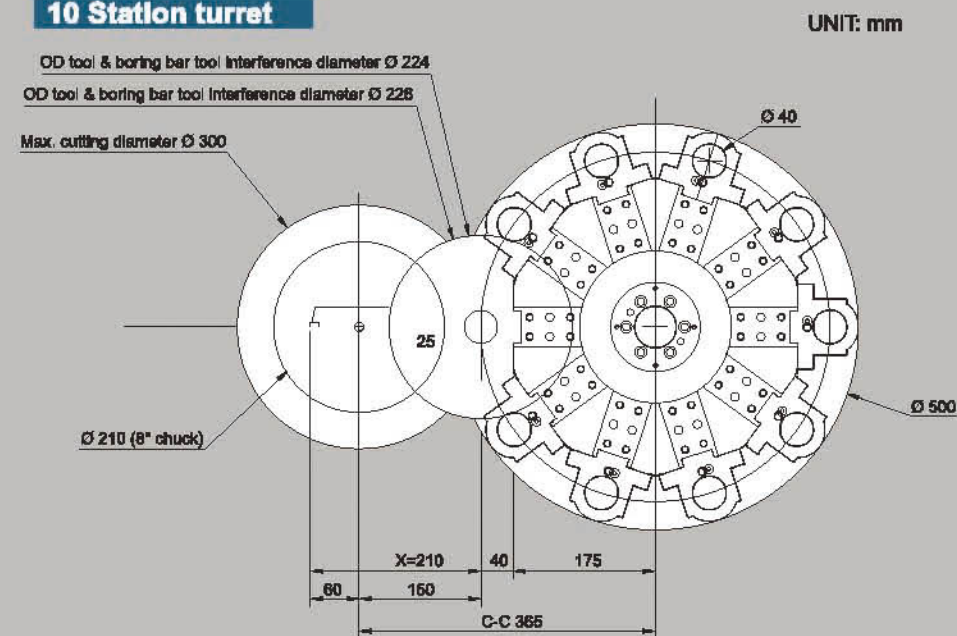
8 Station turret



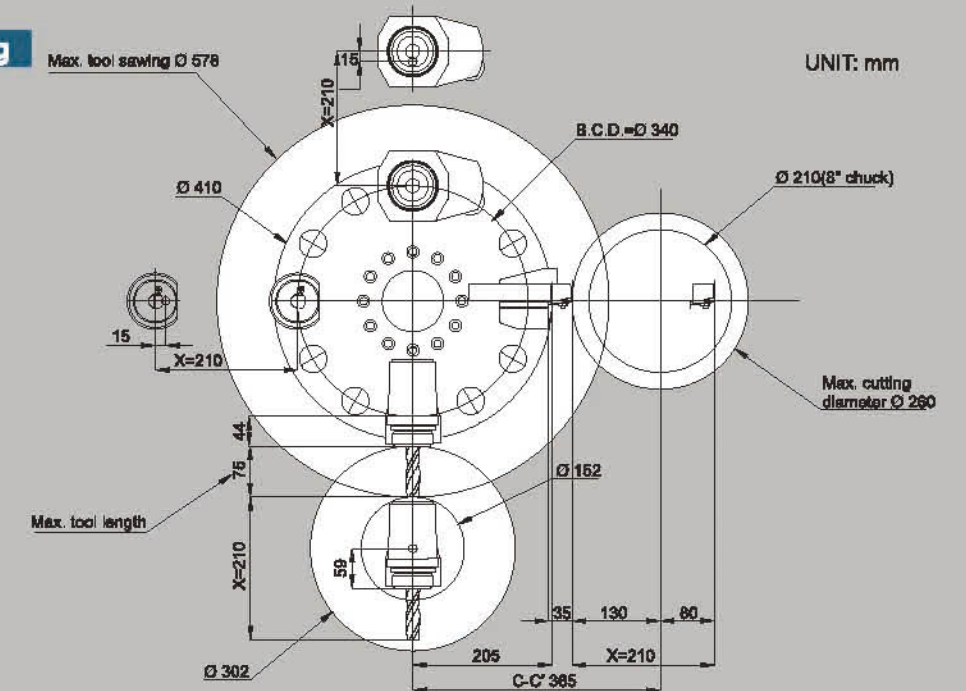
12 Station VDI turret



10 Station turret

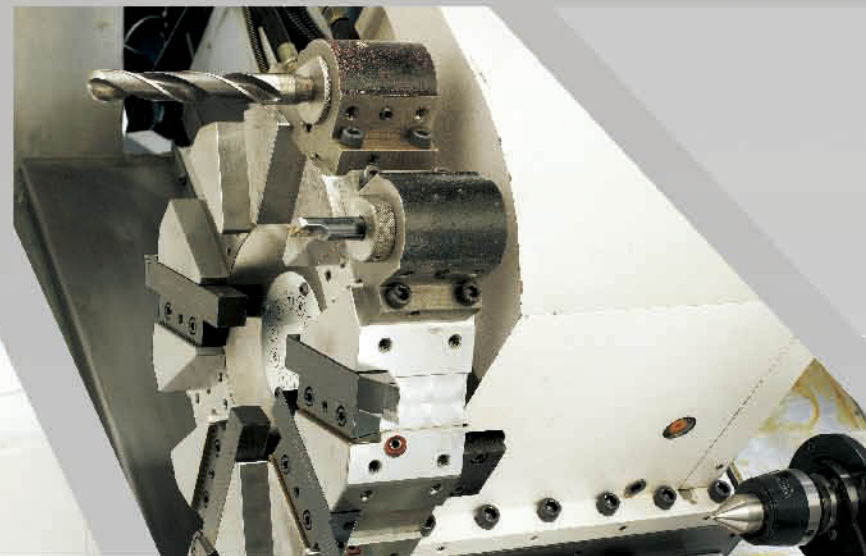


12 VDI turret with live tooling



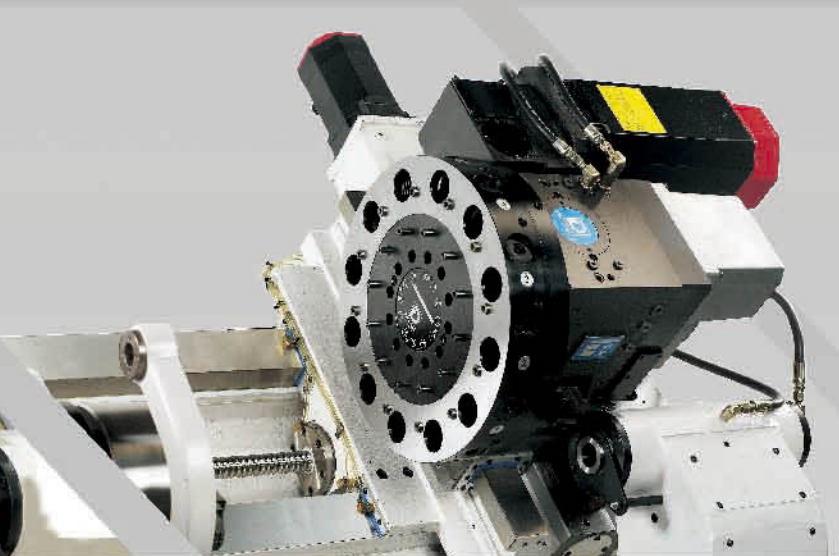
HYDRAULIC TAILSTOCK (STANDARD)

The entire tailstock is moved manually, and fixed at position by lock screw. Tailstock quill is driven by hydraulic.



HIGH SPEED & PRECISION SERVO TURRET SYSTEM (STANDARD)

Turret is specially designed with precision curvic coupling system and servo motor driven to ensure high indexing accuracy and fast tool changing time up to 0.15 sec. for adjacent tool.



LIVE TOOLING SYSTEM (OPTIONAL)

Provides you most complete machining capacity and makes your production more efficient.

SPECIFICATION

BMT 1716 series / BMT 2222 series

STANDARD ACCESSORIES

- Foot pedal for chuck operations
- Hydraulic Tailstock
- Automatic lubrication system
- Coolant system
- Though hole hydraulic chuck
- Hard jaw 1 set
- Soft jaw 3 set
- Working lamp
- Adjustment tools
- Operation manual
- Heat exchanger
- 8-tool servo turret or 12-tool VDI servo turret
- FANUC controller OiMC
- Chip conveyor and cart
- Tool holders for 8-tool servo turret

OPTIONAL ACCESSORIES

- Parts catcher
- Bar feeder
- Transformer
- Collet chuck
- Tools presetter
- CE mark
- 10-tool servo turret
- 12-tool VDI live tooling turret (Diplomatic)
- SIEMENS controller 810D
- VDI tool holders

	Unit	BMT 1716	BMT 1716LB	BMT 2222	BMT 2222LB
TRAVEL					
Maximum swing	mm	Ø420		Ø550	
Swing over carriage cover	mm	Ø330		Ø330	
Maximum turning diameter					
w/ turret	mm	200(VDI) / 250(8T) / 210(10T)		250(VDI) / 350(8T) / 300(10T)	
w/ power turret (Diplomatic VDI 12T)	mm	200		250	
X axis travel	mm	180		220	
Z axis travel	mm	550		650	
Max. turning length					
w/ 8T/10T	mm	530 / 515		630 / 615	
w/ VDI(12T)	mm	510 / 500		610 / 600	
Carriage inclination		45°		45°	
SPINDLE					
Spindle center height (from floor)	mm	920		950	
Spindle nose		A2-5	A2-6	A2-6	A2-8
Power chuck diameter	mm	169	210	210	254
Power chuck system		Hydraulic		Hydraulic	
Spindle bore	mm	56	62	62	87
Drawtube (bar) capacity	mm	45	52	52	75
Spindle front bearing (internal diameter)	mm	90	100	100	130
Max. spindle speed(as standard/optional)	RPM	6000	4800	4500	3500
Spindle motor (continuous/30min rating)	kw	11/15 (Fanuc β series)		11/15 (Fanuc αp series)	
AXIS					
X and Z axis rapid traverse rate	m/min	12 and 20		12 and 20	
X & Z axis slide way configuration		Linear Way		Steel Way	
TURRET					
Turret disc dia.	mm	340(VDI) / 260(8T) / 280(10T-opt.)		410(VDI) / 300(8T) / 350(10T-opt.)	
Max. boring bar dia.	mm	D32		D40	
Turing tool shank dimension	mm	20 x 20		25 x 25	
Tool travel below center line	mm	20(VDI) / 50(8T) / 65(10T)		27(VDI) / 47(8T) / 10(10T)	
TAILSTOCK					
Tailstock quill taper		MT4		MT5	
Quill diameter and travel	mm	75 x 100		95 x 125	
Max. quill thrust	kgs	613 (20kg/cm ²)		1007 (20kg/cm ²)	
GENERAL INFORMATION					
Slide way lubrication system		Auto.		Auto.	
Coolant tank capacity	Liter	135		180	
Approx. machine foot print	mm	1750 x 3570 x 1900		2020 x 3570 x 2120	
Approx. machine weight	kgs	4200		5000	

BMT 2418

STANDARD ACCESSORIES

- Foot pedal for chuck operations
- Hydraulic Tailstock
- Automatic lubrication system
- Coolant system
- Though hole hydraulic chuck
- Hard jaw 1 set
- Soft jaw 3 set
- Working lamp
- Adjustment tools
- Operation manual
- Heat exchanger
- 8-tool servo turret or 12-tool VDI servo turret
- FANUC controller OiMC
- Chip conveyor and cart
- Tool holders for 8-tool servo turret

OPTIONAL ACCESSORIES

- Parts catcher
- Bar feeder
- Transformer
- Collet chuck
- Tool presetter
- CE mark
- 10-tool servo turret
- 12-tool VDI live tooling turret (Diplomatic)
- αp wide range motor(FANUC)
- SIEMENS controller 802DSL

	Unit	BMT 2418
TRAVEL		
Maximum swing	mm	Ø 600
Swing over carriage cover	mm	Ø 370
Maximum turning diameter		
w/ turret	mm	250(VDI) / 350(8T) / 300(10T)
w/ power turret (Diplomatic VDI 12T)	mm	250
X axis travel	mm	210
Z axis travel	mm	450
Max. turning length		
w/ 8T/10T	mm	410
w/ VDI(12T)	mm	410
w/ power turret (Diplomatic VDI 12T)	mm	387
Carriage inclination		45°
SPINDLE		
Spindle center height (from floor)	mm	920
Spindle nose		A2-6
Power chuck diameter	mm	210
Power chuck system		Hydraulic
Spindle bore	mm	62
Drawtube (bar) capacity	mm	52
Spindle front bearing (internal diameter)	mm	100
Max. spindle speed(standard/optional)	RPM	3500 / 4500
Spindle motor (continuous/30min rating)	kw	11 / 15 (FANUC β series)
AXIS		
X and Z axis rapid traverse rate	m/min	20
X and Z axis slide way configuration		Box way
TURRET		
Turret disc dia.	mm	410(VDI) / 300(8T) / 350(10T-opt.)
Max. boring bar dia.	mm	D40
Turing tool shank dimension	mm	25 x 25
Tool travel below center line	mm	80(VDI) / 35(8T) / 60(10T)
TAILSTOCK		
Tailstock quill taper		MT4
Quill diameter and travel	mm	Ø 75 x 100
Max. quill thrust	kgs	550(18kgs/cm ²)
GENERAL INFORMATION		
Slide way lubrication system		Auto.
Coolant tank capacity	Liter	120
Approx. machine foot print	mm	1830 x 3600 x 1900
Approx. machine weight	kgs	4600